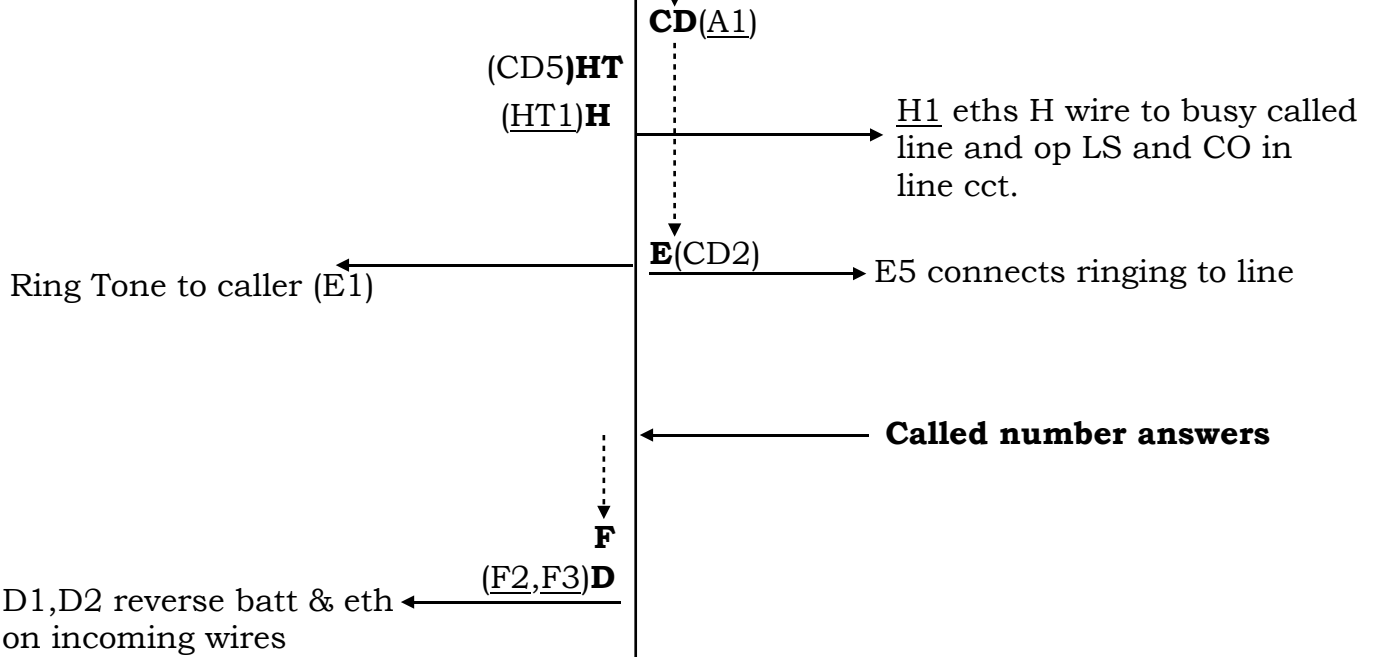


At the end of dialling two digits into the selector, the wipers are positioned onto the called line's multiple position. Relays CD and E release slowly in turn.

(1) Called line free

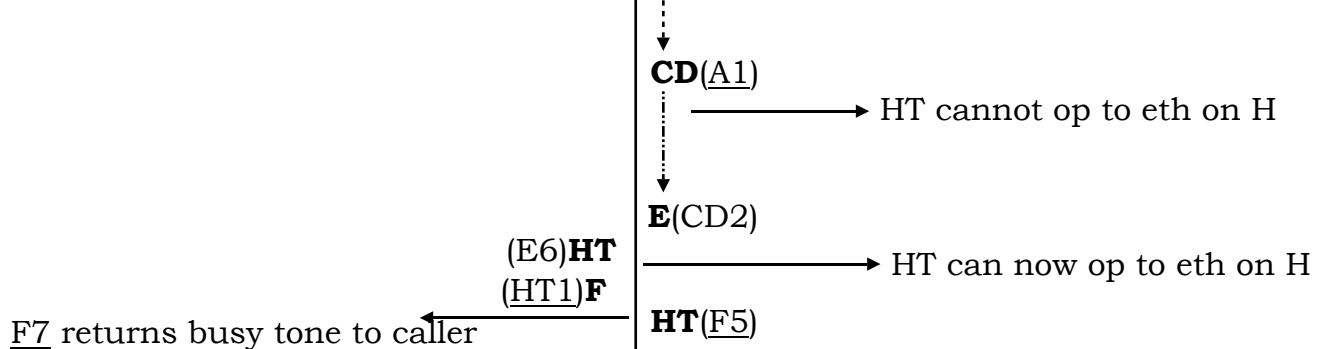
250 ohm battery on H wire



CONVERSATION

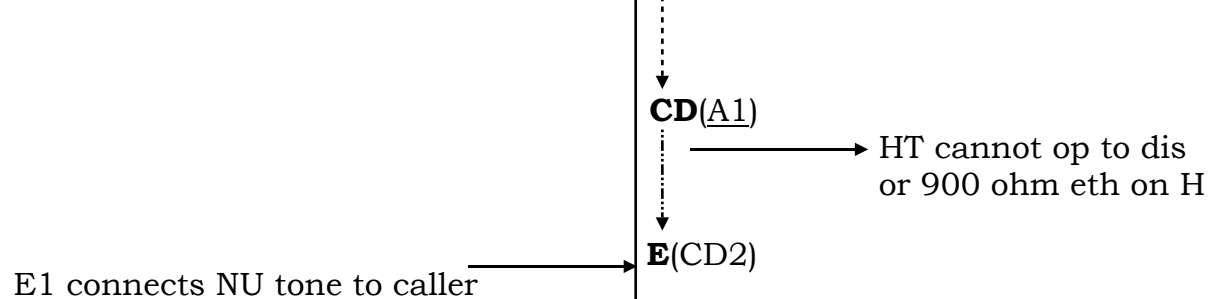
(2) Called line busy

Earth on H wire



(3) Called Line spare or PG

H wire is dis or has 900 ohm eth if PG



**Parkend Exchange
Final Selector
Testing etc.**

