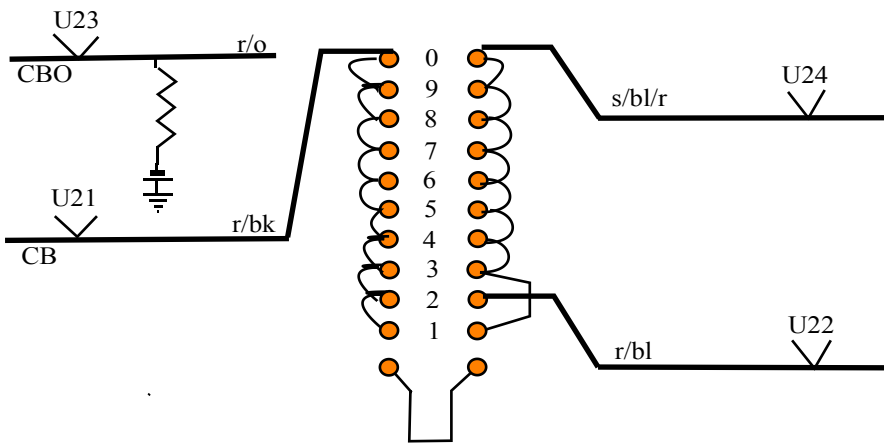


Rack A1 Local Group Selectors



Ord (on-site) / CCB(off-site)

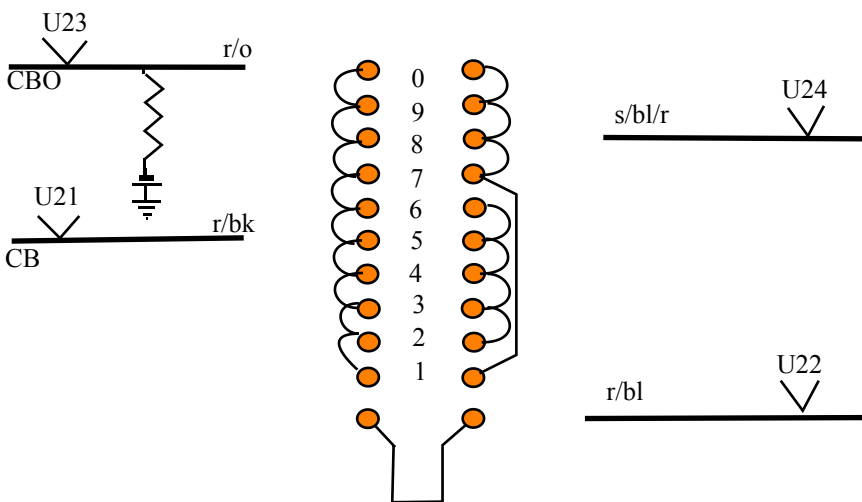
0	Working / Working
9	Working / Working
8	Working / Working
7	Working / Working
6	Working / Working
5	Working / Working
4	Working / Working
3	Working / Working
2	Working / Barred
1	Working / Working

Note : On levels available for off-site lines strap U21 to AB1 and U24 to AB2

On levels barred for off-site lines, strap U21 to AB1 and U22 to AB2

On spare levels, strap U23 to AB1 and U22 to AB2 (note that there are no levels marked as spare on the above strappings. Spare levels return busy tone.

Rack A1 Incoming Group Selectors



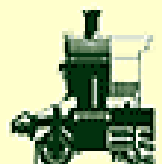
Incoming selectors
not in use

Vertical Marking Bank Strapping Rack A1

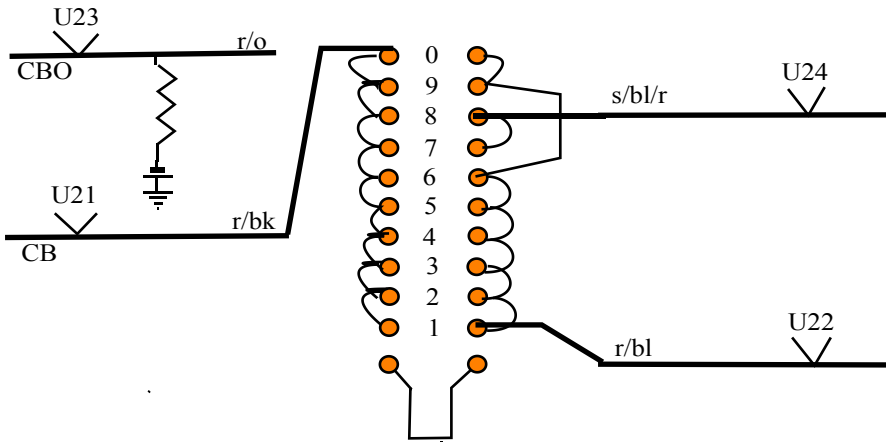
Issue 2 23/12/06 Lev 3 opened

Issue 3 17/04/07 Lev 2 etc opened

Dean Forest Railway



Rack A2 Local Group Selectors

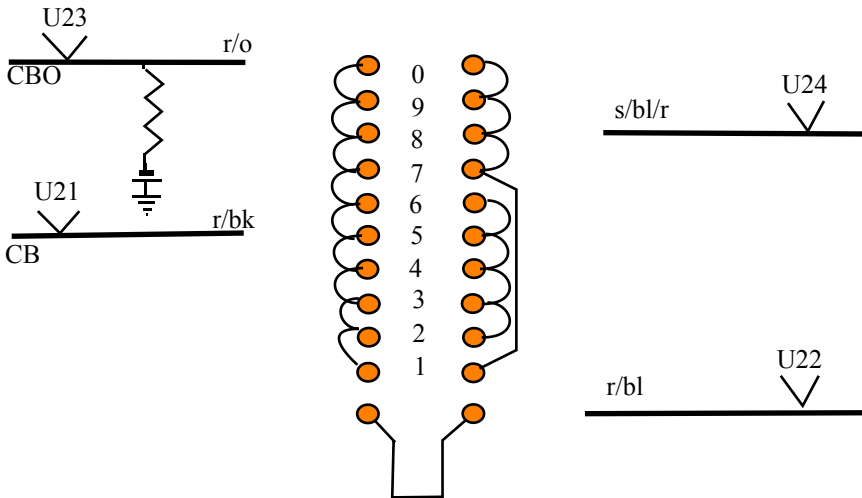


Ord (on-site) / CCB(demo)

- 0 Working / Barred
- 9 Working / Barred
- 8 Working / Working
- 7 Working / Working
- 6 Working / Barred
- 5 Working / Barred
- 4 Working / Barred
- 3 Working / Barred
- 2 Working / Barred
- 1 Working / Barred

Note : On levels available for demo lines strap U21 to AB1 and U24 to AB2
 On levels barred for demo lines, strap U21 to AB1 and U22 to AB2
 On spare levels, strap U23 to AB1 and U22 to AB2 (note that there are no levels marked as spare on the above strappings. Spare levels return busy tone.

Rack A2 Incoming Group Selectors



Incoming selectors
not in use

Vertical Marking Bank Strapping Rack A2

Issue 2 23/12/06 Lev 3 opened
 Issue 3 17/04/07 Lev 2 etc opened

Dean Forest Railway

